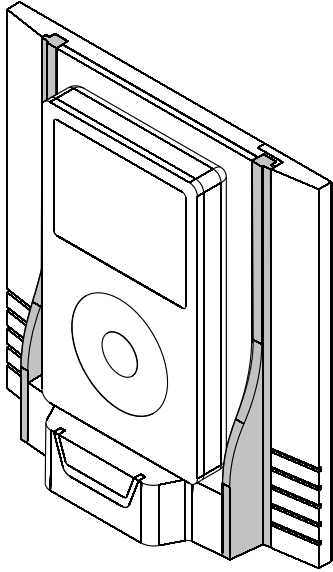


INSTRUCTIONS



A0315 **iBus Wall-Dock for CAT5 Audio Systems**



iBus™
BY **CHANNEL VISION™**

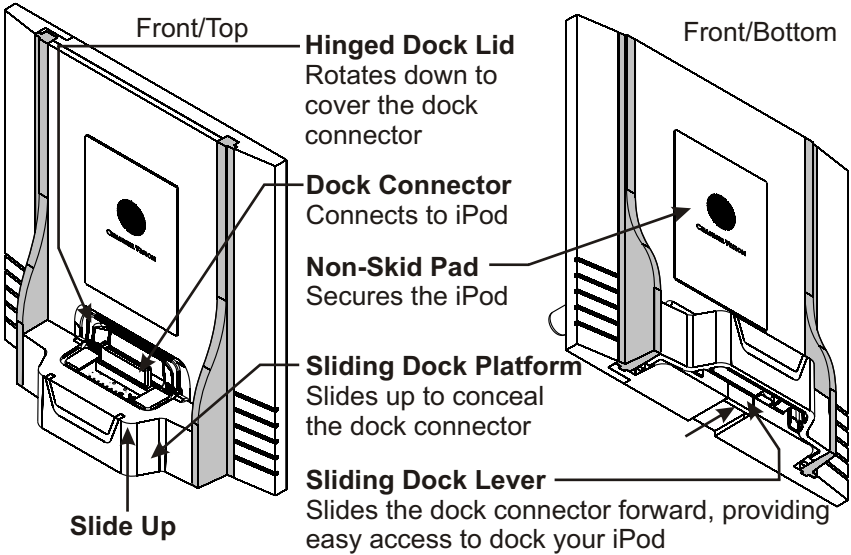
©2010 CHANNEL VISION TECHNOLOGY

The **A0-315** is an on-wall iPod® docking station for CAT5 audio systems. The dock connector slides in and out to adjust for any iPod and the non-skid pad helps to hold the music player in place. With all the popular features of A0313, the new A0315 adds elegant and contemporary styling to make it the perfect choice for anyone who wants to enjoy their music without defacing their wall. (See Made For section on page 3 for a list of compatible iPods.)

Features:

- Compatible with all Channel Vision CAT5 audio systems
- Charges the iPod
- Senses audio to automatically override the main audio source
- Supports IR control: compatible with A0505 or Apple Remote
- Uses CAT5 cabling
- Mounts in a standard 2-gang box

Wall Dock

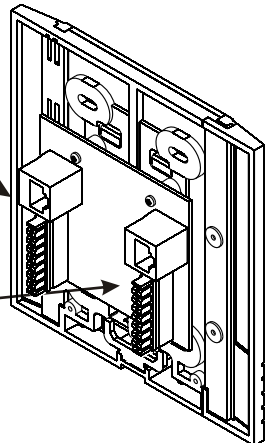


Input RJ-45 & 110 Connectors

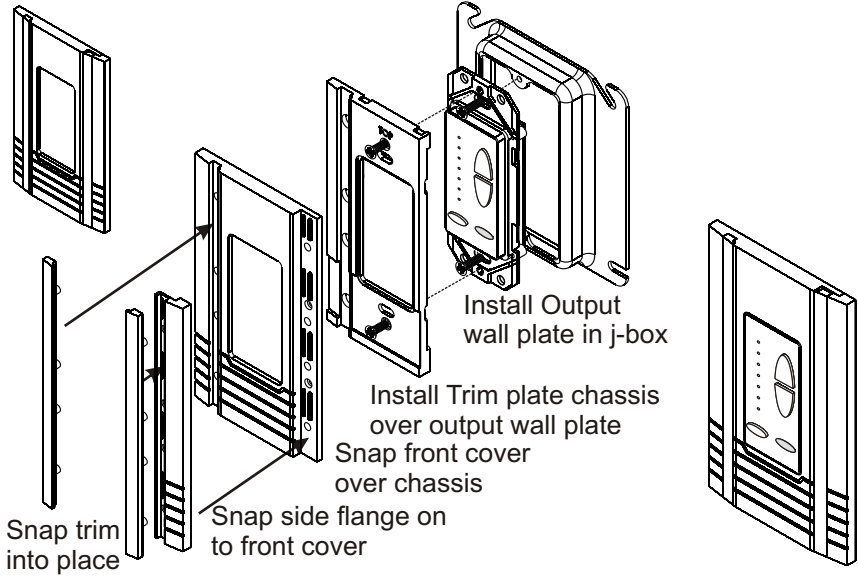
Connect to CAT5 Audio Hub
CAT5 cable (only use one)

Output RJ-45 & 110 Connectors

Connect to CAT5 Audio Amplifier Input
CAT5 cable (only use one)



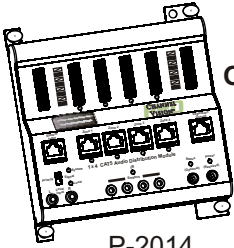
Installing the Trim Plate Accessory



Other Required Components

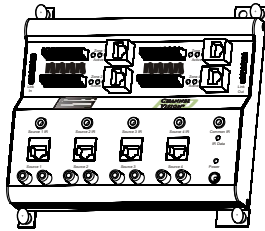
The A0313 is not a standalone device. It must be installed as part of an audio system which requires the following components:

CAT5 Audio Hub or CAT5 Audio Matrix:



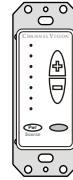
P-2014
(power supply included)

OR



P-2044
(power supply included)

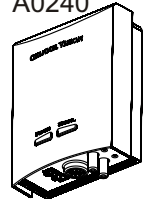
Volume Control Keypad: A0125



Wiring Interface: A0302



In-Room Amplifier: A0240



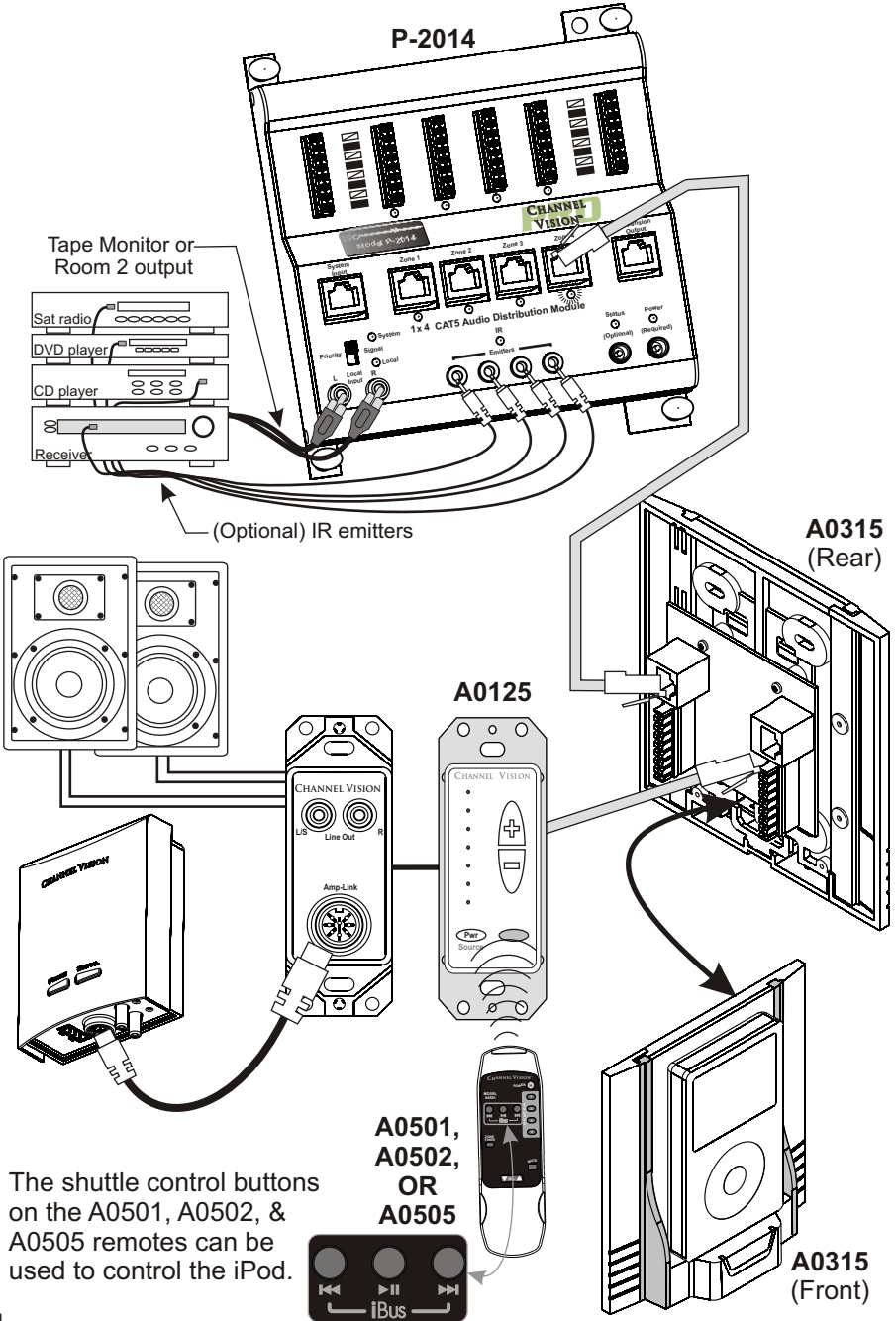
Compatibility

Made For:

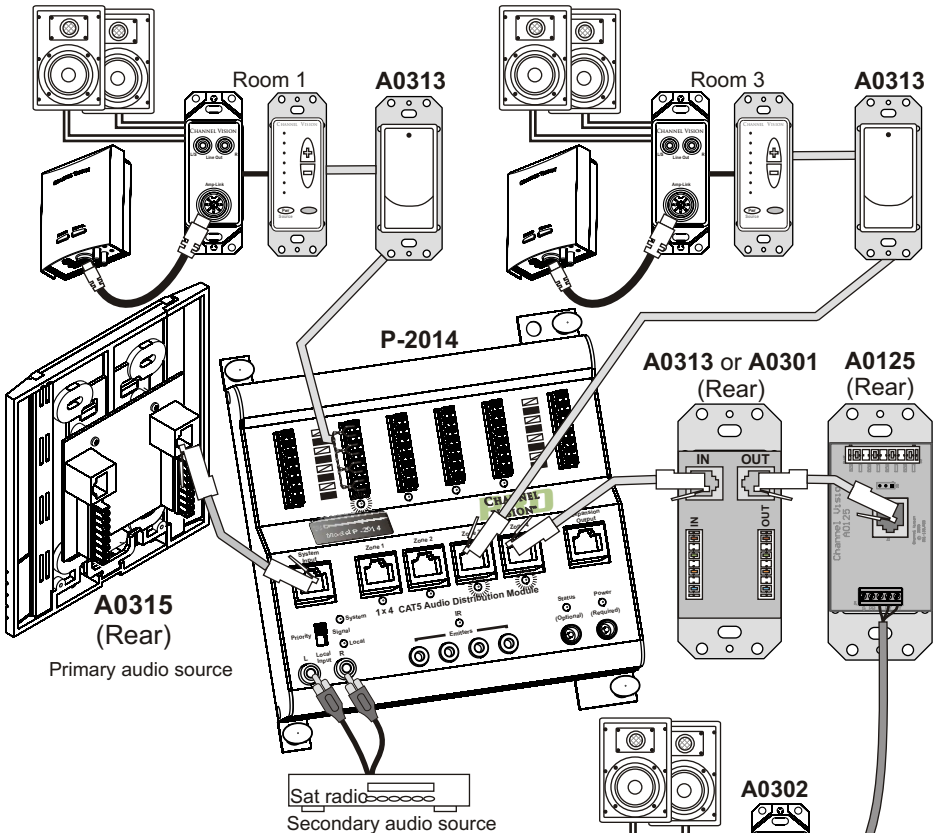
- iPod touch (2nd generation)
- iPod touch (1st generation)
- iPod classic
- iPod video
- iPod nano (5th generation)
- iPod nano (4th generation)
- iPod nano (3rd generation)
- iPod nano (2nd generation)
- iPod nano (1st generation)
- iPod mini
- iPod with dock connector

System Wiring Diagram

Using the A0315 as a local source input module



System Wiring Diagram Using the A0315 as a main source input module



In this configuration, either the satellite radio tuner or the A0315 connected to the System Input of the P-2014 can act as the main system input. If audio is present from both sources, then the Priority switch will determine which source is heard. In this example the switch is set to give the A0315 priority.

(See A0125 manual for connection details)

A0301 and A0315 can be used as primary system inputs feeding the main hub or as local input modules in each room to override the primary audio source. The A0301 is a generic input module which provides a standard L/R RCA input and the A0315 is an iPod® docking station.

These local input modules should be installed in the CAT5 line between the P-2014 and the A0125. Multiple input modules can be installed in one CAT5 run. If audio is present at more than one input module the unit closest to A0125 will take priority and be played through the speakers.